

MODEL AFG910B



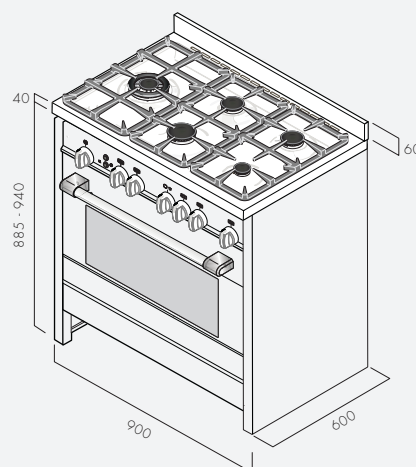
90CM FREESTANDING MAXIMUS SERIES COOKER

ELECTRIC OVEN

- 8 multifunction cooking modes
- 100 litre oven capacity
- Triple glazed glass door
- Inner door with flat easy to clean glass
- Fan forced
- Recessed grill
- Removable oven cavity floor
- 3 cooking positions
- Oven baking tray
- Removable oven interior
- Wide glass door exterior
- Programmable oven timer and clock
- Patented 'COOL DOOR' with easy removable inner glass for cleaning
- Stainless Steel Pilar legs
- Colour: Gloss Black

GAS COOKTOP

- Five burner cooktop
- Spacious burner layout
- 1 Centre Triple ring burner 3.7kW
- 1 Rapid burner 3.0kW
- 2 Semi-rapid burner 1.75kW
- 1 Auxiliary burner 1.0kW
- Cast iron trivets and burner caps
- Flame failure safety device
- Recessed cooking surface
- Easy single touch ignition
- 24 month manufacturer warranty
- Made in Italy



AFG9 Series Cooker Specifications
 Total Gas Consumption: 40.32 mj/H
 Total Electrical Consumption: 3.6 kW/H
 Electrical Connection: 15AMP GPO/Hard connection

DISCLAIMER

Eurolinx PTY LTD, is continually seeking ways to improve the design specifications, aesthetics and production techniques of its products. As a result alterations to our products and designs take place continually. Whilst every effort is made to produce information and literature that is up to date, this brochure should not be regarded as an infallible guide to the current specifications, nor does it constitute an offer for the sale of any particular product. Product dimensions indicated in our literature is indicative only. Actual product only should be used to define dimension cutouts. Distributors, and retailers are not agents of Eurolinx and are not authorized to bind Eurolinx by any express or implied undertaking or representation.

ARTUSI OFFICES ARE OPEN DAILY FROM 9AM-5PM AND SATURDAYS 10AM-4PM

NSW & ACT (HEAD OFFICE)
 48-50 MOORE STREET
 LEICHHARDT
 F 02 8569 4699

VIC, TAS & SA
 1211 TOORAK ROAD
 CAMBERWELL
 F 03 9809 2155

QLD
 1/42 CAVENDISH ROAD
 COORPAROO
 F 07 3397 0850

WA & NT
 UNIT 10/55 HOWE STREET
 OSBORNE PARK
 F 08 9201 9188

NZ
 PO BOX 11160
 SOCKBURN CHRISTCHURCH
 F 03 344 5906

P: 1300 649 583

ARTUSI.COM.AU